

EMG-20ASB Series Servo Motor



FEATURES

- 220 VAC
- **Rated Torque of 1352 oz-in**
- **2000 Watt Power Rating**
- **Rated Speed 2000 RPM**
- **Maximum Speed 3000 RPM**
- **Peak Torque up to 300% of Rated Torque**
- **Peak Current up to 300% of Rated Current**
- **131,072 PPR Absolute Encoder Attached**
- **Enclosed and Self-Cooled**
- **Brake Option Available**
- **CE Certified**



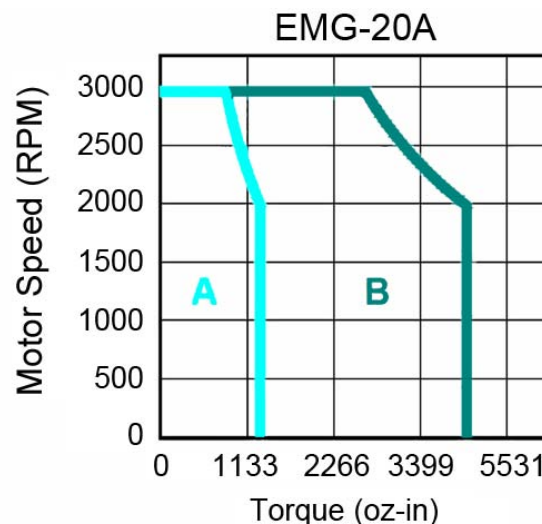
DESCRIPTION

Anaheim Automation's Digital AC Servo Motors offer a simple solution to servo applications involving speed and positioning control. The EMG-20ASB Servo Motor comes standard with a 131,072 Pulses Per Revolution (PPR) Absolute Encoder, runs at a maximum speed of 3,000 RPM, provides peak values up to 300% of the rated torque and current values, and has a rated torque of 1352 oz-in with a 2000 Watt power rating. These enclosed and self-cooled motors also provide longer motor life and higher reliability. The EMG-20ASB Servo Motors enable industrial motion control applications to attain a great combination of speed and positioning functionality.

SPECS

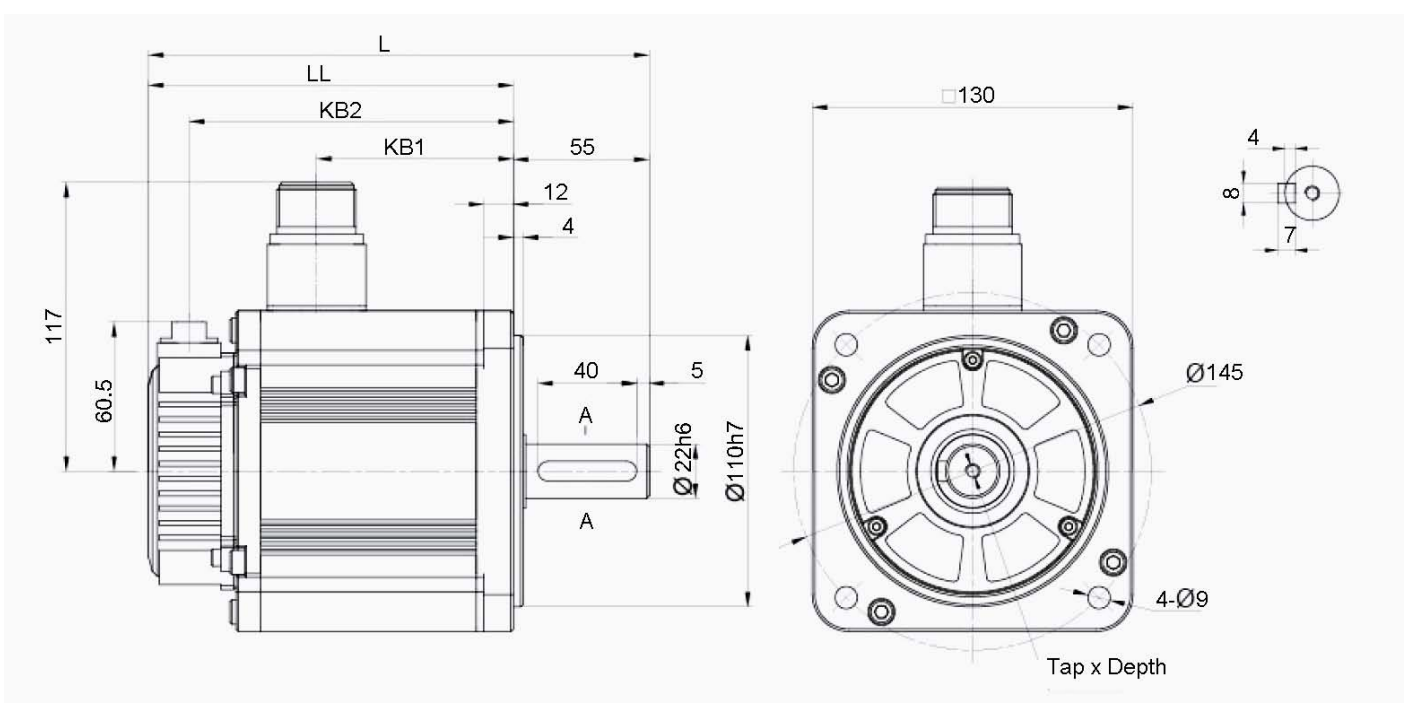
Model #	Rated Torque (oz-in)	Rated Power (Watts)	Rated Speed (RPM)	Max Speed (RPM)	Rated Current (A rms)	Brake (24VDC)	Inertia (oz-in-sec ²)	Torque Constant K_T (oz-in/A)	Resistance (ohms)	Inductance (mH)	Length (mm)	Weight (lbs)
EMG-20ASB22	1352	2000	2000	3000	11.3	No	0.33278	130	0.3	3.8	192	23.8
EMG-20ASB24	1352	2000	2000	3000	11.3	Yes	0.34836	130	0.3	3.8	234.5	27.11

TORQUE CURVE



A: Continuous Working Area
 B: Repeatedly Working Area

L011597



Note: All Dimensions in millimeters

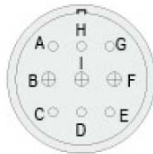
Model #	L	LL	KB1	KB2
EMG-20ASB22	247	192	124	175.5
EMG-20ASB24	289.5	234.5	147.2	218

Note: the EMG-20ASB24 are Servo Motors with holding

Encoder Connector Specification:



Pin No.	Signal
1	S+
2	S-
3	BAT+
4	BAT-
7	PG0V
8	PG5V
10	FG

Motor Connector Specification:


Pin No.	Signal
A	-
B	U
C	FG
D	FG
E	-
F	W
*G	B1
*H	B2
I	V

Note: There are no B1, B2 signals in motor without brake.

Power Requirement: 220VAC	Vibration: 49 m/s ²	Running Air Pressure: 86 to 106 kPa
Insulation Class: F	Ambient Temperature: 20% to 80% RH	Insulation Voltage Endurance: AC 1800C, 50Hz, 1 min
Ambient Temperature: 0°C to 40°C	Running Humidity: Not More Than 90%, Under 25°C	Insulation Impedance: Not Less Than 50M Under Normal Conditions
Running Temperature: -25°C to 40°C		

Compatible Driver:

Part Number	Description
PRONET-20AEA-EC	Servo Driver


Compatible Cables:

Part Number	Description
PDMB-GA14-05-II	Power/Brake Cable
PDM-GA14-05-II	Power Cable
PAP-GA24-05-II	Encoder Cable

